

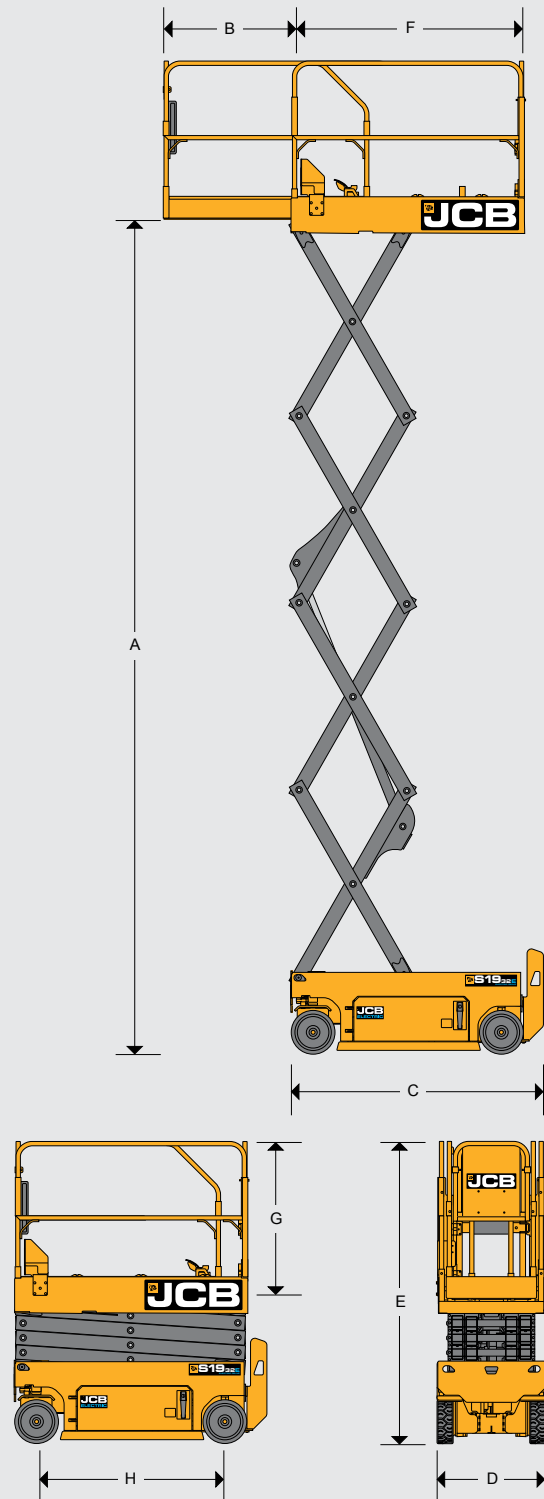
## MACHINE SPECIFICATIONS

F	Platform length	m (in)	1.64 (65)
	Platform width	m (in)	0.75 (29.5)
G	Platform height	m (in)	1.1 (43)
	Load capacity	kg (lb)	230 (505)
	Max. platform occupants (indoor / outdoor)	person	2 / 1
	Max. allowable slope (front to back / side to side)	degrees	3 / 1.5
H	Ground clearance	m (in)	0.07 (2.75)
	Wheelbase	m (in)	1.33 (52)
	Turning radius (outside)	m (ft-in)	1.49 (4-11)
	Turning radius (inside)	m (in)	0.04 (1.5)
	Gradeability	%	25
	Max driving speed (stowed)	km/h (mph)	4
	Max driving speed (raised)	km/h (mph)	0.8
	Raising speed (loaded)	s	20-25
	Lowering speed (loaded)	s	25-30
	Solid tyre dimensions	mm (ins)	305 x 115 (12 x 4.5)
	Hydraulic tank volume	L	12
	Hydraulic system volume	L	14
	Hydraulic system pressure	MPa	24.8
	Battery	Ah @ 20h	6V x 4 (225)
	Power unit	V	24
	Input voltage of charger	V AC	100-240V
	Tyres		Non-marking

## DIMENSIONS - ELECTRIC DRIVE

A	Max. platform height (indoor)	m (ft-in)	5.71 (18-9)
A	Max. platform height (outdoor)		5.71 (18-9)
	Max. working height	m (ft-in)	7.71 (24-9)
B	Extension outreach	m (in)	0.9 (35)
C	Overall length (stowed)	m (ft-in)	1.78 (5-10)
D	Overall width (stowed)	m (ft-in)	0.82 (2-8.2)
E	Overall height (stowed, guardrail folded)	m (ft-in)	1.85 (6-1)
	Overall height (stowed, guardrail unfolded)	m (ft-in)	2.12 (6-11)
	Overall weight	kg (lb)	1590 (3505)

## WORK ENVELOPE



Your nearest JCB dealer

JCB Sales Limited, Rocester, Staffordshire, United Kingdom ST14 5JP.

Tel: +44 (0)1889 590312 Email: salesinfo@jcb.com

Download the very latest information on this product range at: [www.jcb.com](http://www.jcb.com)

©2025 JCB Sales. All rights reserved. No part of this publication may be reproduced, stored in a retrieval system, or transmitted in any form or by any other means, electronic, mechanical, photocopying or otherwise, without prior permission from JCB Sales. All references in this publication to operating weights, sizes, capacities and other performance measurements are provided for guidance only and may vary dependant upon the exact specification of machine. They should not therefore be relied upon in relation to suitability for a particular application. Guidance and advice should always be sought from your JCB Dealer. JCB reserves the right to change specifications without notice. Illustrations and specifications shown may include optional equipment and accessories. All images are correct at time of print. The JCB logo is a registered trademark of J C Bamford Excavators Ltd.